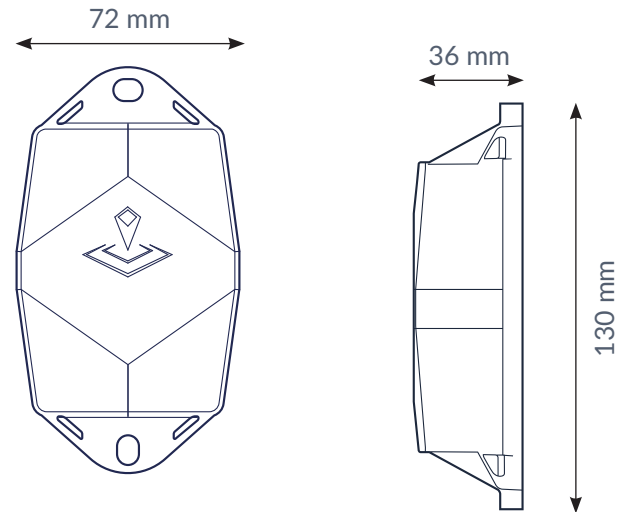


The battery-powered, remote configurable geobeacon for optimizing indoor tracking and zone accuracy of your assets.

- 📶 Bluetooth Low Energy Beacon
- 📶 Omni-directional PCB antenna
- 📶 Max. 100 meters range

- 💧 IP68 & IP69K
- 🔥 Flame retardant
- 🔋 Battery powered



## Connectivity

### Compatibility

Compatible with all Sensolus trackers with BLE localization

### Transmission power

Variabel transmission power up to 100 meter.

## Mounting

- Holes for screws or rivets
- Cable ties

## Mechanics & design

### Antenna

All antennas are internal

### Size

130x 72 x 36 mm

### Weight

200 gram

### Color

Translucent black

### Water & dust resistance

IP68 & IP69K

### Operating temperature

-20 to 60°C

### Storage temperature

-40 to 60°C

### Casing

- Polycarbonate (lexan 943A)
- Flame retardant
- UV-stabilized

## Batteries

- Up to 10 years battery life depending on operating mode
- User replaceable battery pack (Li-SoCl<sub>2</sub>) 8400 mAh 3.6V
- 2,7 gram Lithium

## User interaction

### Device activation

Magnetic activation

### LED feedback

Green & red LED feedback on the device

## Management services

### Diagnostics

- Battery lifetime prediction
- Installation
- Communication quality

### Management

- OTA firmware updates
- Remote configuration (TX power and switch on/off)
- Optional: external environmental sensors

## Application services

Self localization

## Remote management security

- Sigfox communication AES encryption
- Device unique encryption keys
- End to end payload encryption Chacha 20
- AES encrypted firmware
- Firmware upgrade allows only signed firmware images