

## Tracker installation

- Do not install the tracker on the inside of the truck.

## Temperature sensor installation

Temperature sensors monitor the internal conditions of the refrigerated trailer.

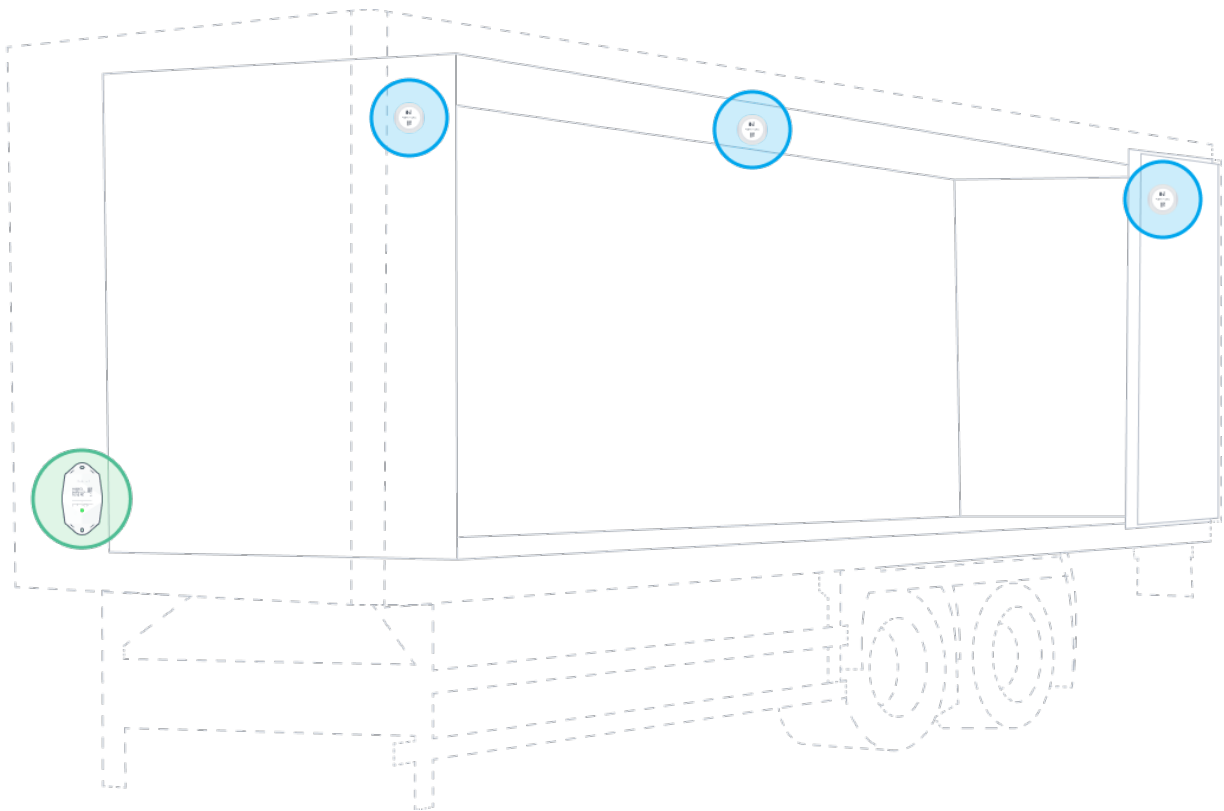
- Temperature sensors inside in the middle of the trailer on any place. Install only one sensor.
- Keep out of range of doors and moving parts.
- Do not install the sensors in the pathway of loading and unloading the goods.

Please keep in mind to use enough glue spread across the entire back surface. Install the sensor where you most likely will experience traffic in the back. If a sensor falls/knocks off it is possible they will remove it from the trailer while cleaning it, and we will not be able to find it back.

Use glue that is suited for low temperatures.

## Sensor placement options

There are three recommended options for sensor placement:



# Installation advice for cooling trucks

Option	Location	Notes
Option 1	Back wall	Install the sensor on the back wall of the cooling truck
Option 2	Ceiling	Install the sensor on the ceiling of the cooling truck. Make sure it does not get smashed off while loading the truck
Option 3	Back door	Install the sensor on the back door of the truck