

The SENSE FL 4300 has two modes: fill level and load detection. This manual covers installation advice for both modes.

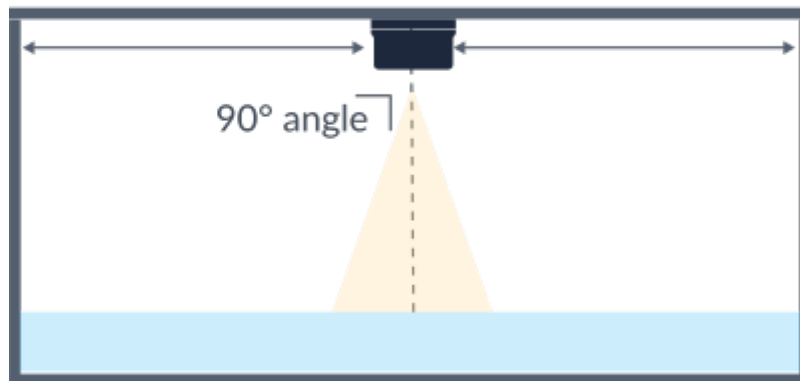
## Mounting the sensor

All mounting options for your sensor can be found in the [Sensolus product mounting instructions](#).

## Load detection

### Horizontal mounting

When mounting the sensor horizontally for load detection:

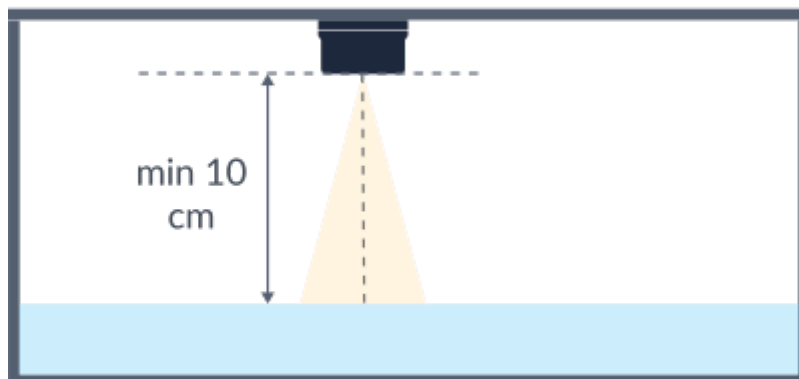


- Install the sensor in the middle of the load
- Install in the middle of the cavity
- Install the sensor so it has a 90° angle with the object it has to detect

Do not install too close to the side and do not install at an angle. The radio signals can be obstructed and cause false sensor values.



Make sure there is a minimum distance of 10 cm between the top of the sensor and the load.



## Vertical mounting

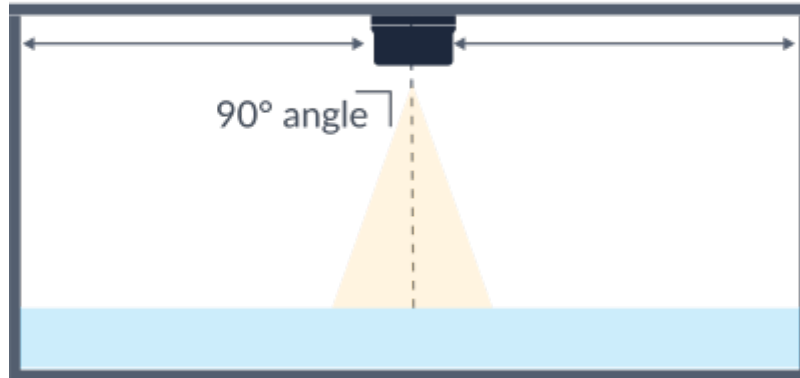
When mounting the sensor vertically for load detection, install with the arrow on the back of the sensor facing up.



## Fill level

### Mounting inside an asset

When mounting inside a container for fill level detection:



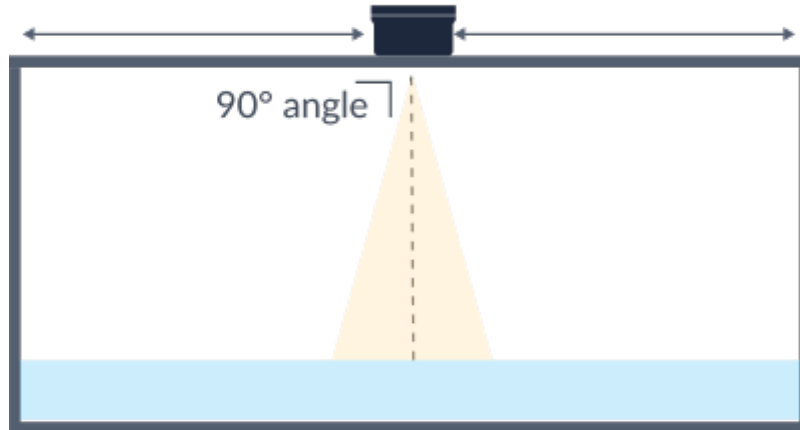
- Install the sensor in the middle of the container
- Install the sensor so it has a 90° angle with the surface it has to detect

Do not install too close to the side and do not install at an angle. The radio signals can be obstructed and cause false sensor values.

Make sure there is a minimum distance of 10 cm between the top of the sensor and the load.

## Mounting outside an asset

When mounting outside a container for fill level detection:

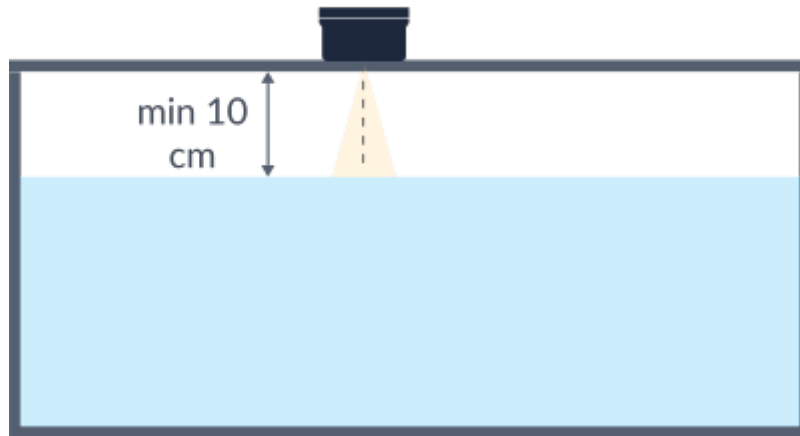


- Install the sensor in the middle of the container
- Install the sensor so it has a 90° angle with the surface it has to detect

Do not install too close to the side and do not install at an angle. The radio signals can be obstructed and cause false sensor values.



Make sure there is a minimum distance of 10 cm between the top of the sensor and the load.



## Configuration

To configure the sensor profile using the Sensolus app:

Go to Admin → Sensors Select the device you want to configure Tap on the settings icon to go to the configuration page Tap the three dots in the top right to open the configuration actions menu In the configuration actions menu tap Profile Select the profile you want to apply to the sensor and tap the save icon on the top right