

Activation

The TAG 2001 is already activated when you receive it. No activation steps are required.

Verify activation

To verify if the tag is activated, perform the following steps in a dark environment:

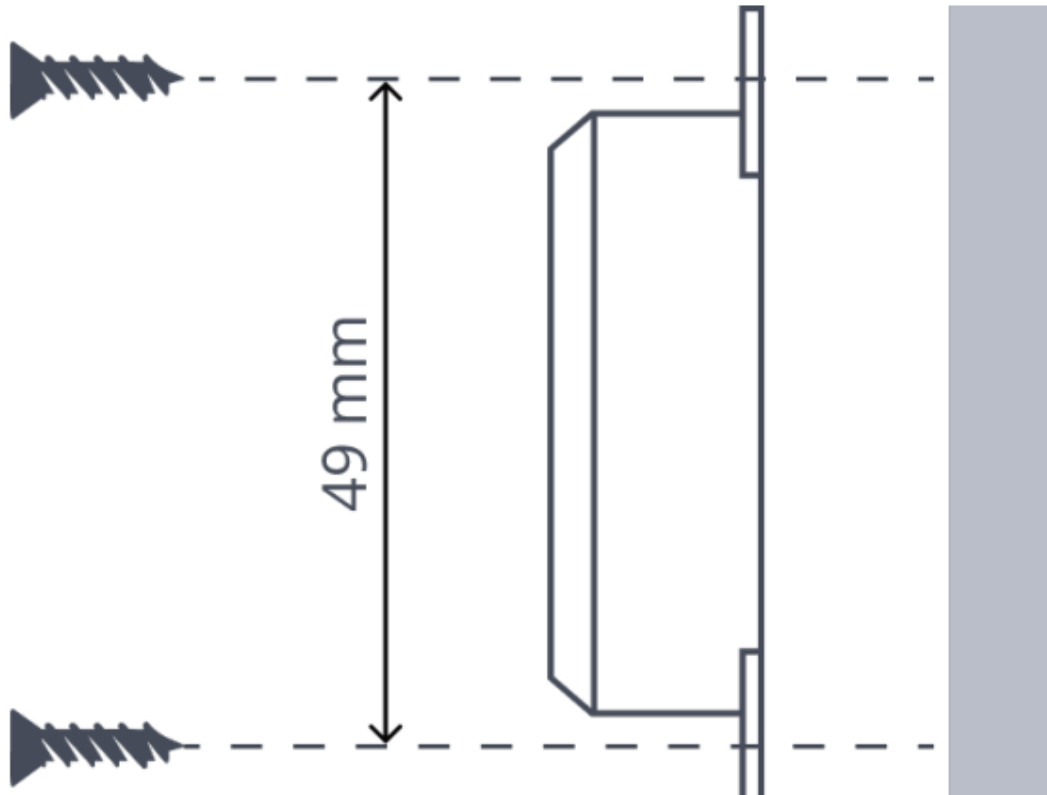


Mounting the TAG 2001

Guidelines for mounting the tracker can be found in the [Sensolus Documentation center](#).

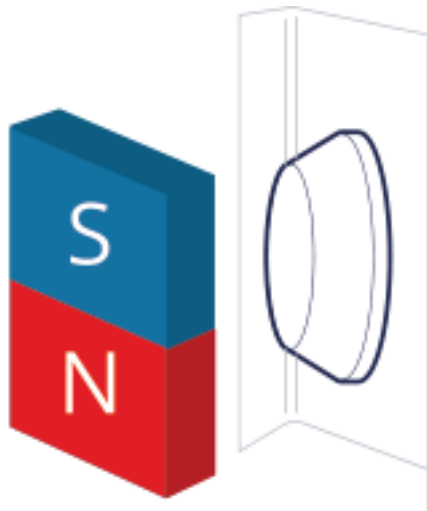
Mounting with screws, rivets, or bolts

The TAG 2001 has mounting holes for affixing with rivets, screws, or bolts. The spacing between the mounting holes is 49mm.



Important mounting warning

Do not install the TAG 2001 close to magnets. Magnets can interfere with the tag's operation.



Edit tag information with the mobile app

The Sensolus mobile app allows you to edit the name, tags, and picture of a TAG 2001.

Download the Sensolus mobile app from the [App Store](#) or [Google Play](#).

Open the Sensolus smartphone app and login with your credentials. Go to the tag you want to edit via the asset list, map, or search function. In the search function, use the QR code scanner to open the tag details page. Tap on the edit icon. You can now edit the name, tags, and picture of the tag. Save the settings by tapping the save icon.