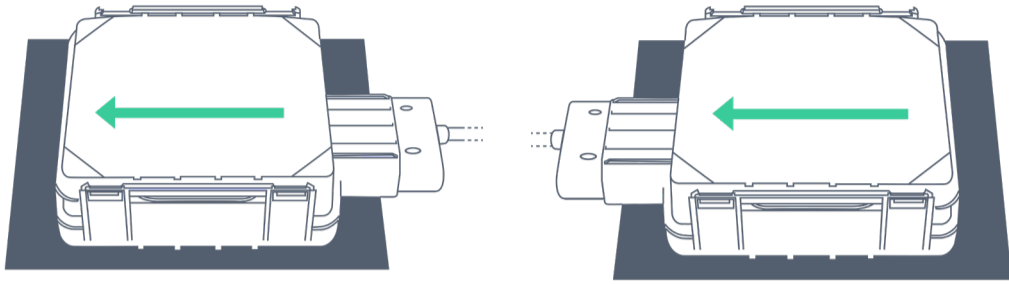
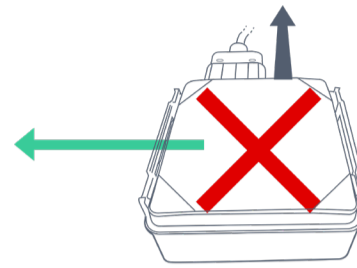


Advice before installation

1. Orientation of the tracker

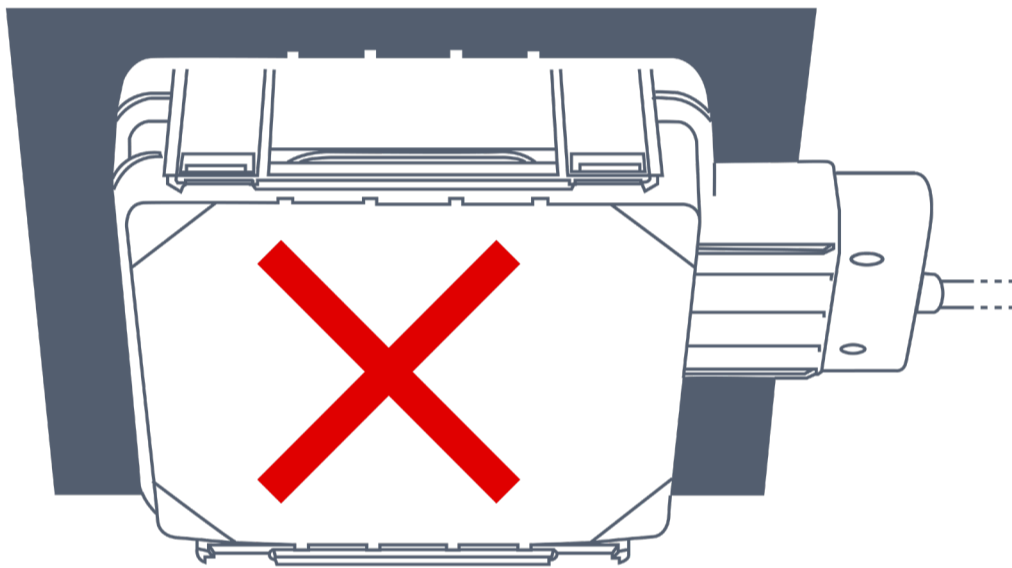


Install with connection plug in line of the driving direction.

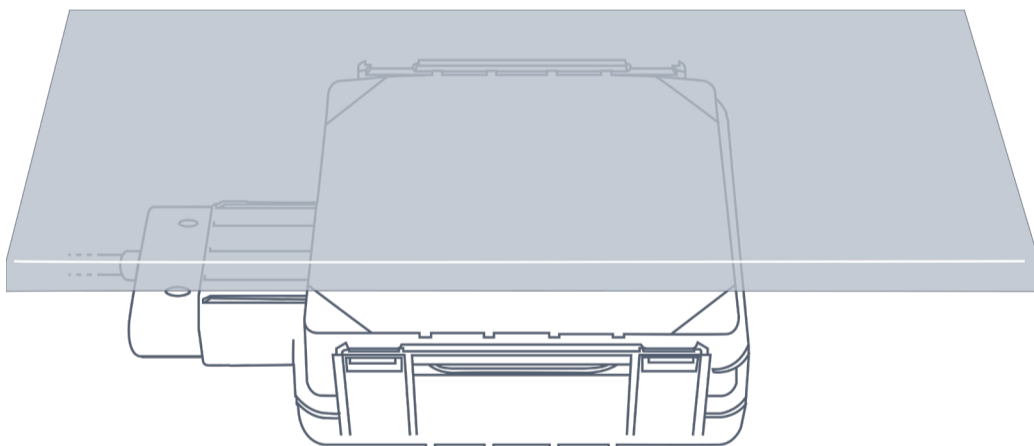


Do not install perpendicular to the driving direction.

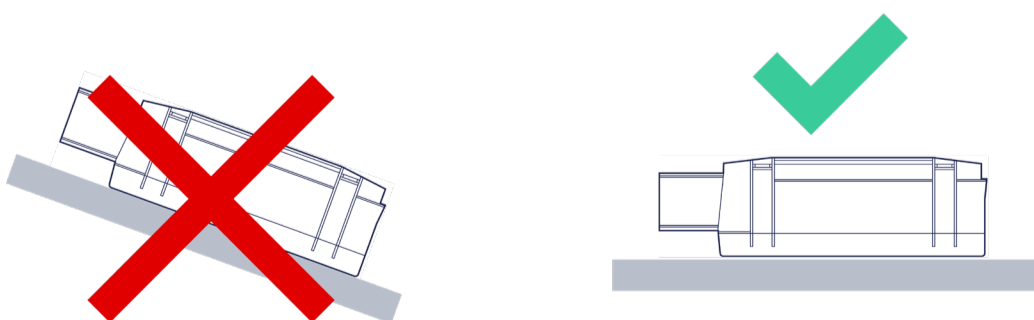
2. Do not install upside down



3. Avoid placement of TRACK 1203 under metal surfaces



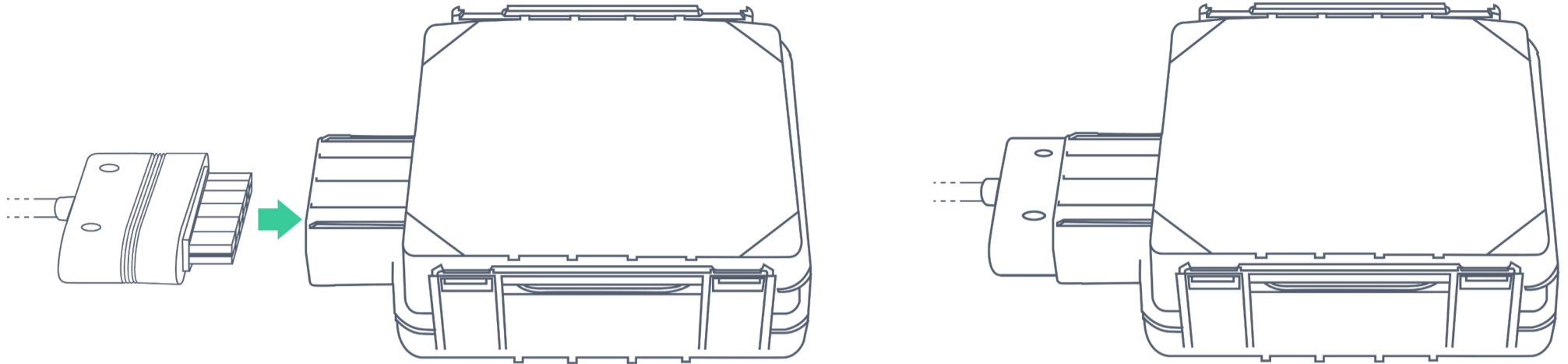
4. Mount horizontal



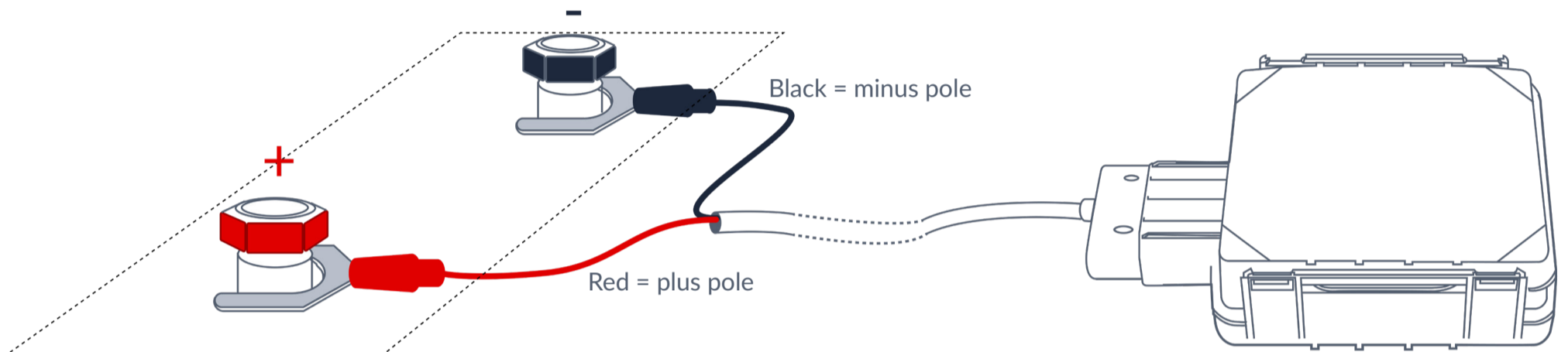
TRACK 1203 must be placed so its state is as horizontal as possible (if TRACK 1203 is leant more than 30 degrees, it is considered incorrect mounting).

Mounting the device

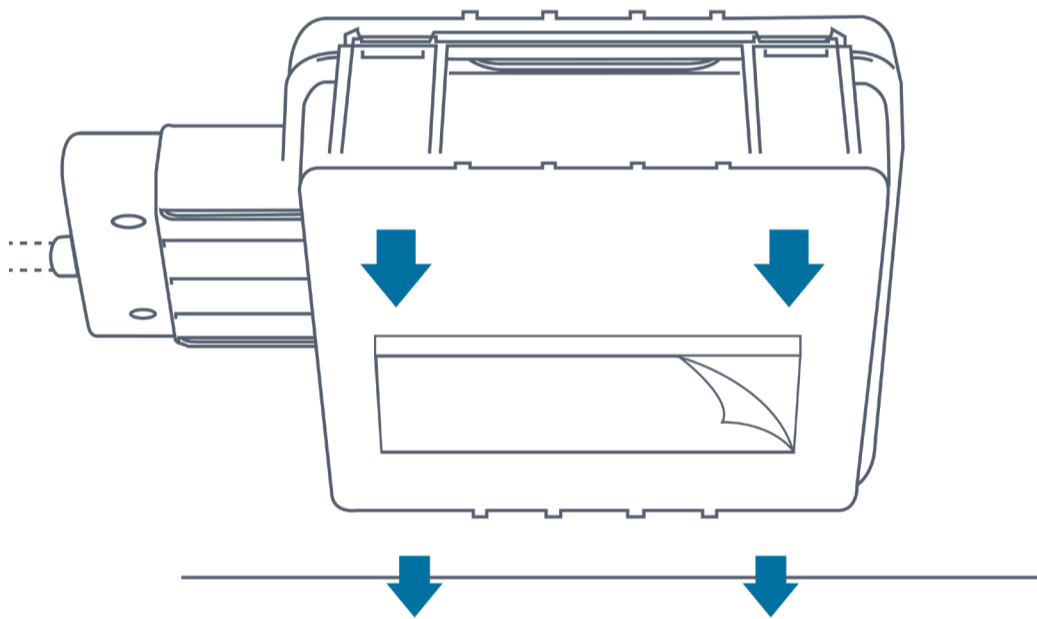
1. Connect the plug



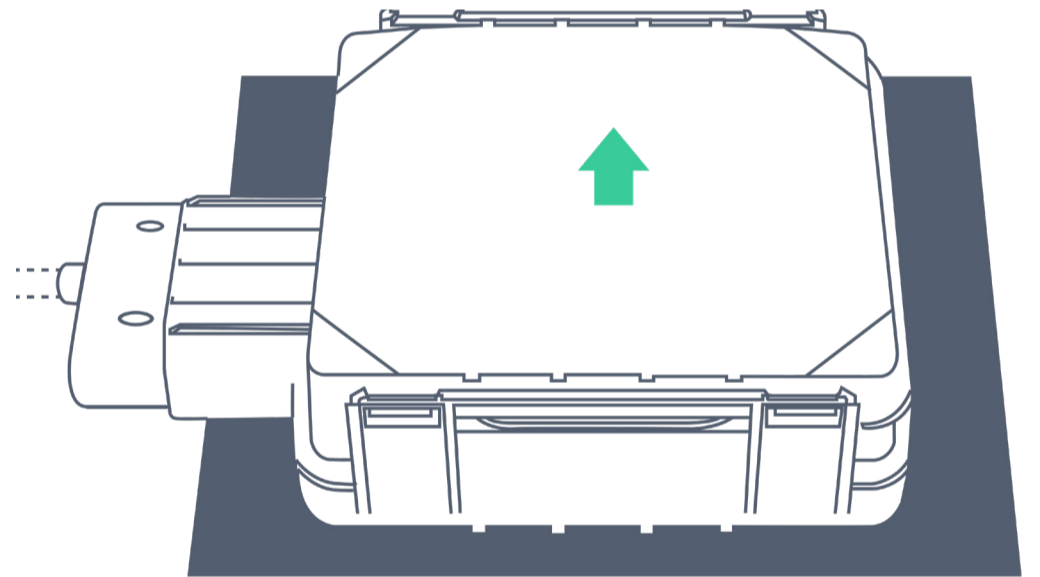
2.. Attach to plus and min pole of the vehicle battery



3. Attach to a surface with printed side facing up



Install with double sided tape or tie wraps



Install with TOP side facing up.