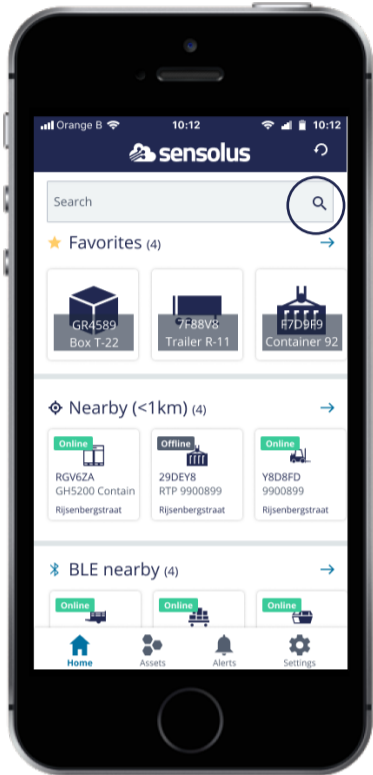


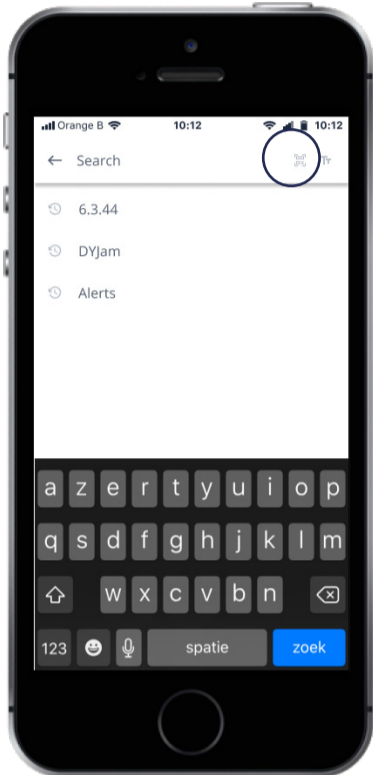
Activation of the Tag 2001

Download and install the Sensolus app from the Apple or Android store. Log in to the app with your Sensolus credentials.

Adjust the settings of the Tag 2001



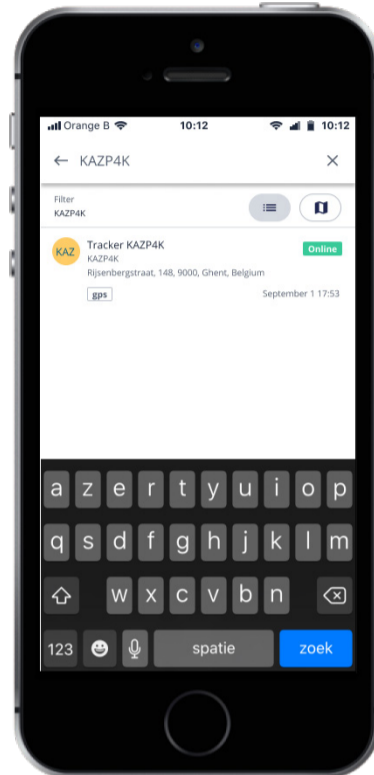
Click on the search bar.



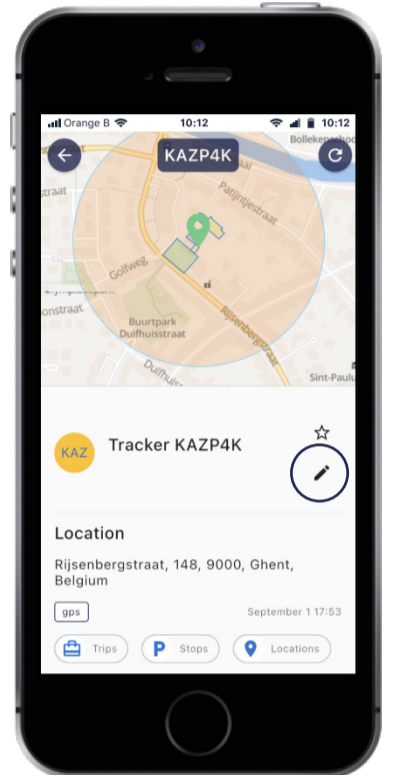
Click on the barcode icon next to the search bar. The camera of your phone will open.



Scan the Barcode printed on the front of the BLE tracker.



Click on your tracker that will appear in your screen to go to settings.

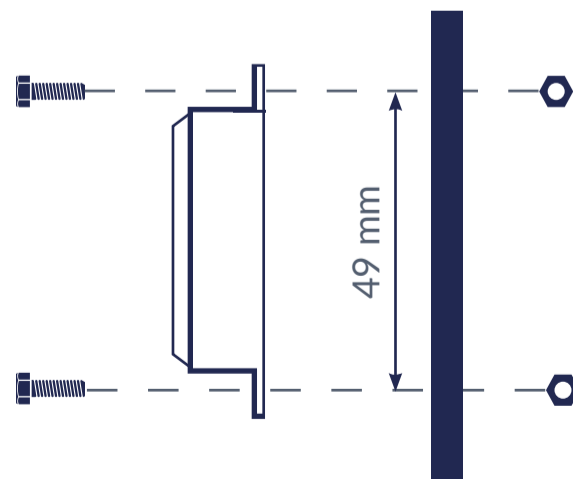
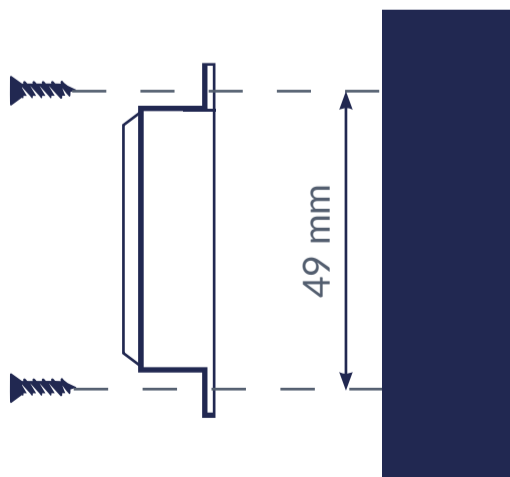


Tap on the edit icon (✎).

You can now edit the name, tags and picture of the tag. Save the setting by tapping the save icon (💾).

Installing the Tag 2001

Installing with screws or bolts



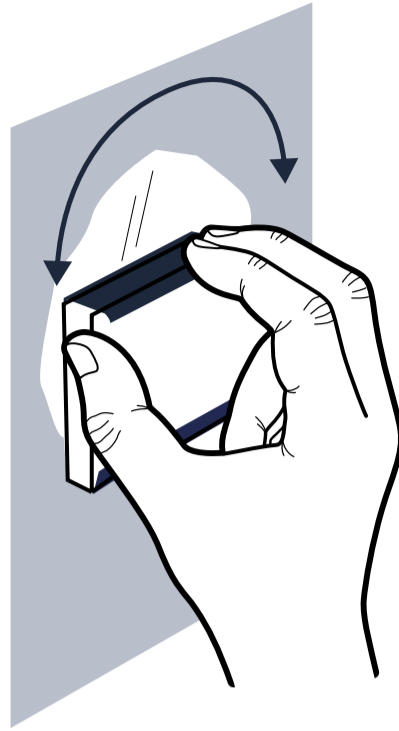
Use M4 bolts and nuts to fasten the TAG 2001

Installing with glue

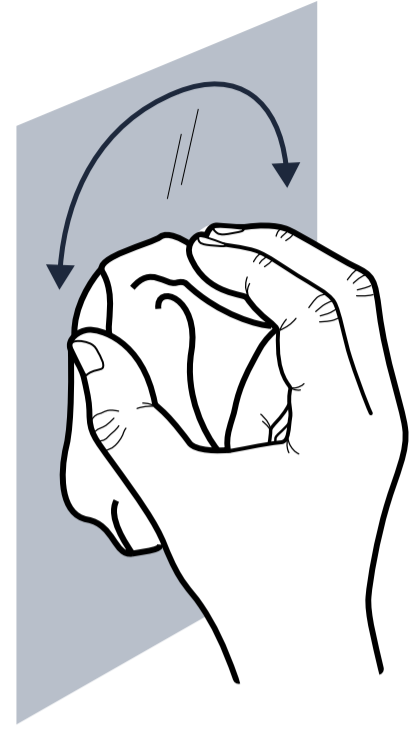
Cleaning the surfaces



Clean the area on the asset where you want to add the tag and also the back side of the tag to get rid of any grease/oil.

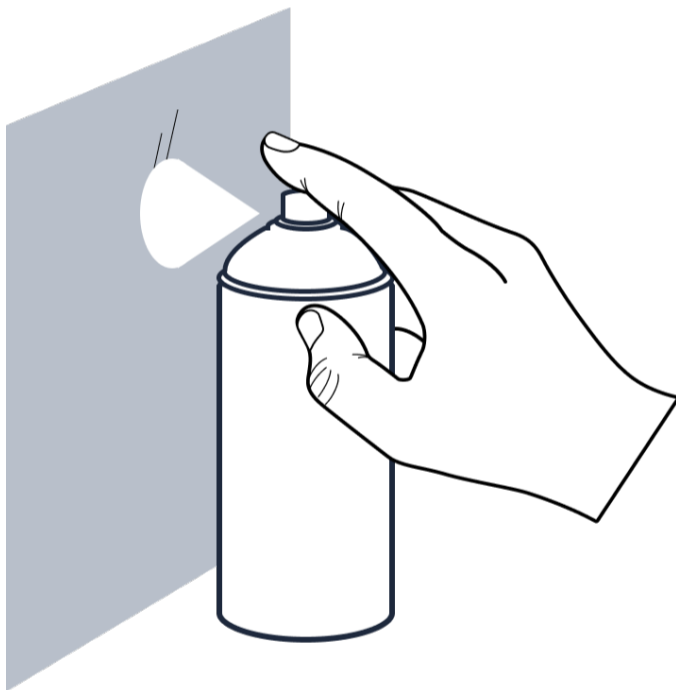


Sand both surfaces lightly for a few seconds to increase surface area.

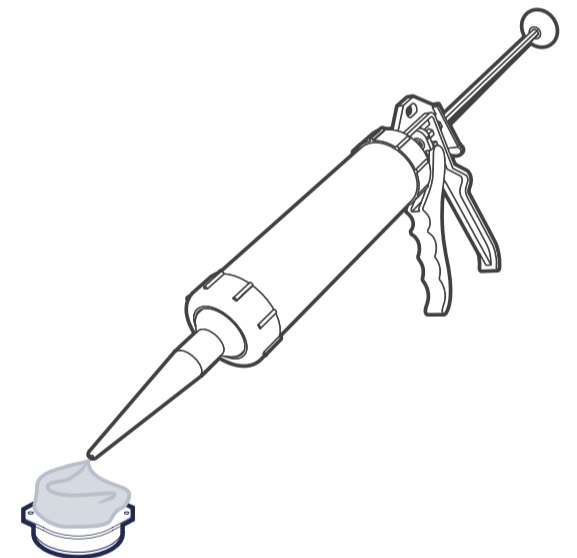


Clean it again to remove the dust.

Preparing



Apply Primer to both surfaces, Mist lightly and let it evaporate



Apply Glue Xtack to the tracker

Attaching the Bluetooth tag tracker



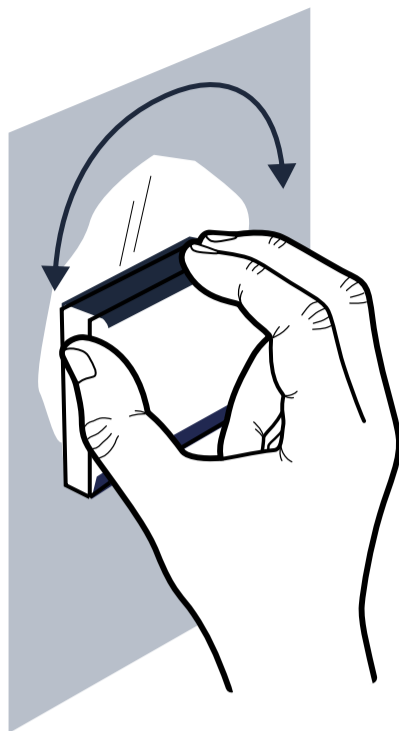
Push the tracker into place ,
aiming for + 2mm of glue thickness
Let it dry for 24 hours

Installing with doublesided tape

Cleaning the surfaces



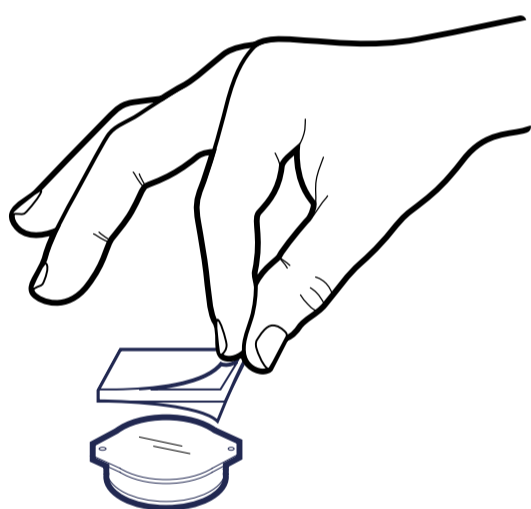
Clean the area on the asset where you want to add the tag and also the back side of the tag to get rid of any grease/oil.



Sand both surfaces lightly for a few seconds to increase surface area.



Clean it again to remove the dust.

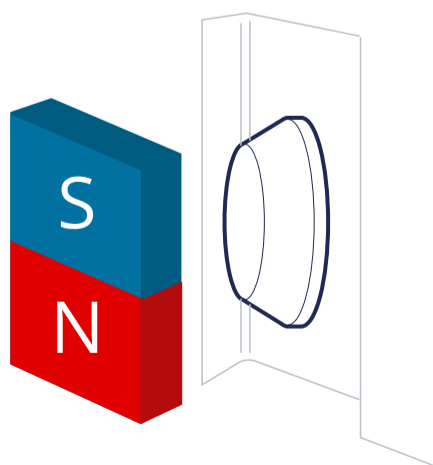


Add the double sided adhesive tape to the tag.



Push the tracker into place and push on the tracker's top to ensure it is mounted properly.

Installation advice



Do not install the tags close to magnets.